

## Cim 787

### VARIABLE ORIFICE BALANCING VALVES



This article was made in compliance with the quality management requirements of standard ISO 9001:2008. All articles are tested according to the standard EN 12266-1:2003.

It can be used in a wide variety of sectors: heating, air conditioning, water, sanitary systems and generally with any non corrosive liquid.

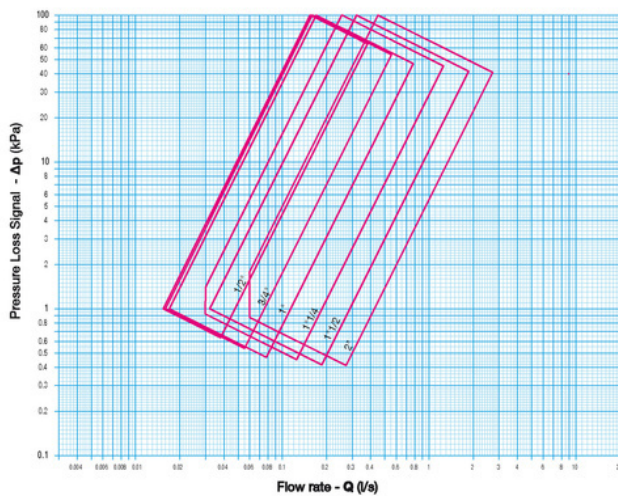
It is guaranteed for 5 years.

It is made of a brass alloy that complies with standard EN 12165-CW602N-M.

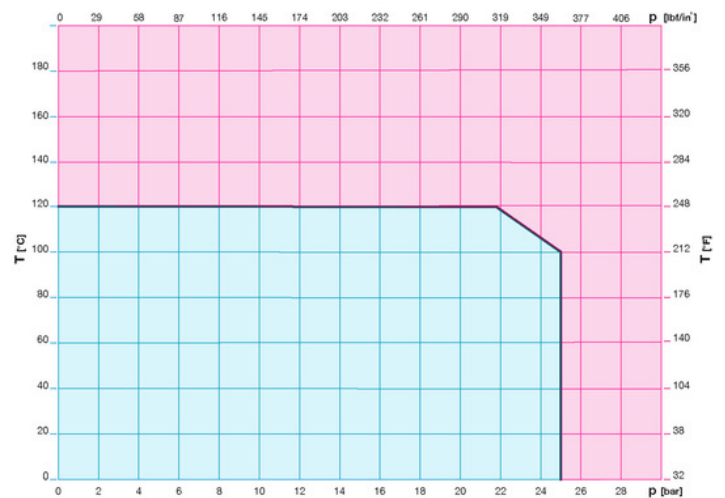
Nominal Pressure: PN25

Operating temperature: -10 to 120°C

### FLOW AND PRESSURE DROP



### PRESSURE TEMPERATURE RATINGS



#### Notes:

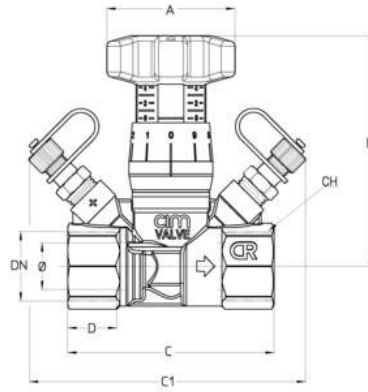
1 bar = 14,5 psi

1 bar = 14,5 lbf/in<sup>2</sup>

°C = 5/9 x (°F-32)

°F = 32 + (9/5 x °C)

# TECHNICAL DRAWING



DN	1/2"	3/4"	1"	1"1/4	1"1/2	2"
Φ mm	9	12,5	15,5	18	22	25
Kvs	1,7	2,9	4,1	6,7	10,4	15,1
<b>Grms.</b>	<b>380</b>	<b>440</b>	<b>535</b>	<b>960</b>	<b>1120</b>	<b>1350</b>
A	50	50	50	50	50	50
B	88	90	92	99	99	100
C	77	80	87	108	115	124
C1	106	107	107	123	128	132
D	16	19	21	23	23	27
CH	25	31	38	48	55	66

## CERTIFICATIONS

